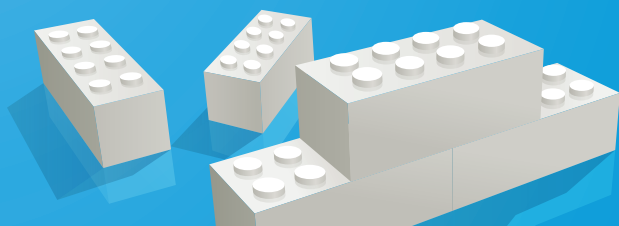


# The smart way to build a printing system

Sauven1000



The new **Sauven 1000** modular inkjet system allows you to connect up to four 1000 printers together with a 1000 controller to suit your application.

There are three different designs of 1000 printers and each can print up to 17mm of print height with up to 8 text lines, bar codes, graphics and 2D data matrix codes. Different inks enable printing onto non-porous materials (plastic, glass, metal) or porous surfaces (cardboard, wood, gypsum).

The controller can be sited up to 10 metres from the 1000 print heads.

## Benefits

*Ideal for printing in confined spaces and restricted positions.*

The range of 1000 printers are small and each has an integral ink cartridge. They can be mounted in high inaccessible positions or inside safety cages, yet still have the 1000 controller mounted for the convenience of the operator.

*Total control for repeat printing across a web of material.*

Up to four 1000 printers can be mounted across a web to print identical or different messages. The 1000 controller mounted remotely can be connected to an encoder or any type of device for print activation.

*Print both sides of your product but only use one controller.*

Whether you are printing two sides of a box or both sides of a larger product, having a single controller simplifies the inputting of the messages by the operator.

## Features

*Easy to use.*

A large colour graphic screen and WYSIWYG display combined with pictorial action keys makes message editing and programming really easy.

*High resolution printing.*

The same proven technology from the successful 6000Plus printers is used in the 1000 printers to give a very high resolution print quality.

*System integration.*

A 1000 print system can either be programmed at the controller or networked to a PC or factory network for full integration.

*Sealed ink cartridge in each 1000 printer.*

An integral and replaceable ink cartridge in each printer maintains a clean and efficient ink system free from contamination.



### Total control

Control and operate up to 4 printers at once with a Sauven 1000 controller



### Total capability

Print across web-fed applications with an encoder using Sauven 1000R printers



### Printing on two sides

Capable of printing identical or different messages using Sauven 1000 printers

Smart thinking: Smart printing

**Sauven**   
www.sauven-marking.com

## Specification

### 1000 Printers

- ▶ Choice of three designs:  
1000  
1000 R  
1000 R - motorised
- ▶ Up to 8 lines of text per printer
- ▶ 5 standard text heights  
2mm – 17mm
- ▶ Up to 10 font styles
- ▶ Graphics, logos, barcodes  
and 2D data matrix codes
- ▶ 180dpi print resolution  
(128 dots/ 17mm)

### 1000 Controller

- ▶ Controls up to 4 x 1000 printers
- ▶ Qwerty key pad with pictorial keys
- ▶ Large colour graphic screen  
(WYSIWYG)
- ▶ Date, time and shift code
- ▶ Incremental, decremental  
numbering
- ▶ Secure editor defined message field  
with operator prompts
- ▶ 100 message store – expandable
- ▶ Multi language support  
(optional foreign keypads)
- ▶ Password protection
- ▶ Visual alarm indicator
- ▶ RS232/485 connectivity

## Electrical

- ▶ Auto voltage detect
- ▶ Single phase 90 – 260V,  
50 – 60 Hz. 0.5 A
- ▶ Secure electrical failure mode

## Data input/output (optional)

- ▶ Additional photocell
- ▶ Encoder
- ▶ Check weigher
- ▶ Bar code scanner message  
selection
- ▶ Ethernet wired or wireless

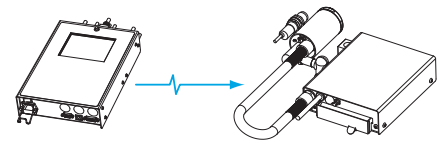
## Inks

- ▶ Sealed replaceable ink cartridge  
(up to 15 million characters)
- ▶ Oil based inks for porous surfaces
- ▶ Solvent based inks for  
non porous surfaces
- ▶ Various colours and special  
application inks

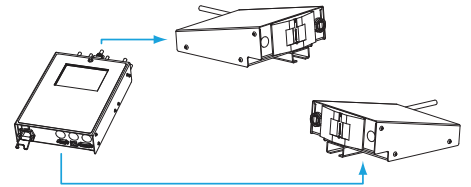
## Sauven PC software

- ▶ Create messages off line
- ▶ Back up printer stored messages
- ▶ Input alternative font styles  
and graphics

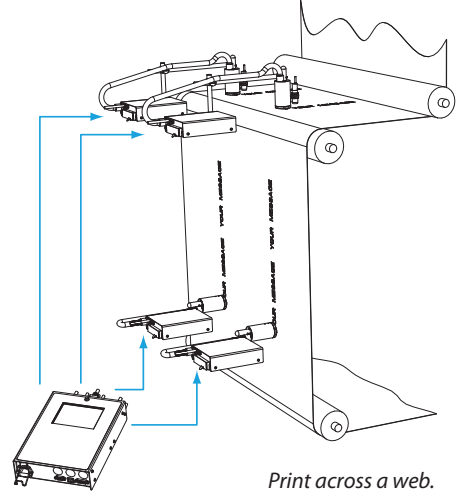
## Application



Print in a remote location.



Print on 2 sides of a product.



Print across a web.

## 1000 Printer choice

### Sauven 1000

Integral print head and ink cartridge for printing on a vertical surface such as cartons or vertical web production lines.

### Sauven 1000R

Print head in remote housing with manual shutter protection. Print head can be positioned at any angle.

### Sauven 1000R - motorised

Print head in remote housing but protected by auto shutter to ensure perfect printing on intermittent production lines or harsh environments.



Total quality: High resolution printing from 2mm to 17mm in height.



Smart thinking: Smart printing

Sauven Marking Limited  
Wintersells Road  
Byfleet, Surrey  
KT14 7LF  
England

Tel: +44 (0) 1932 355191  
Fax: +44 (0) 1932 354511  
Email: sales@sauven-marking.com  
Web: www.sauven-marking.com

www.sauven-marking.com



### Sauven Worldwide

Sauven ink jet printers are available through a global network of qualified distributors offering a total sales and support service.